



LET'S BUILD A BETTER FUTURE

Interior glass partition system **MB-HARMONY DUO**

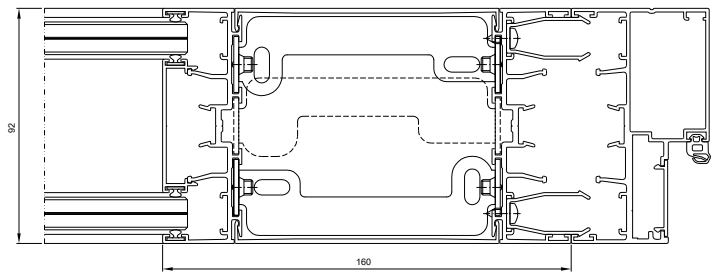
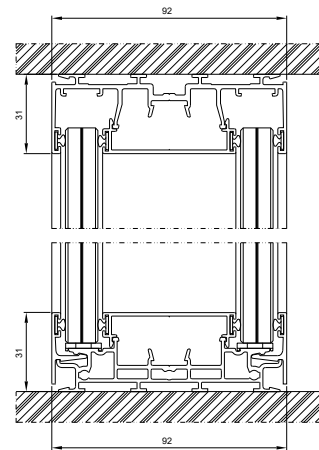
The MB-HARMONY DUO is a system for building double-glazed interior partitions. It was designed primarily for offices spaces with very high acoustic requirements. The double glazing provides the insulation essential to maintain both excellent user comfort and the privacy of conversations held inside.

The DUO echoes the geometry of single-glazed partitions of its sister system, the MB-HARMONY, meaning that both solutions can be used together to create an aesthetic consistency.

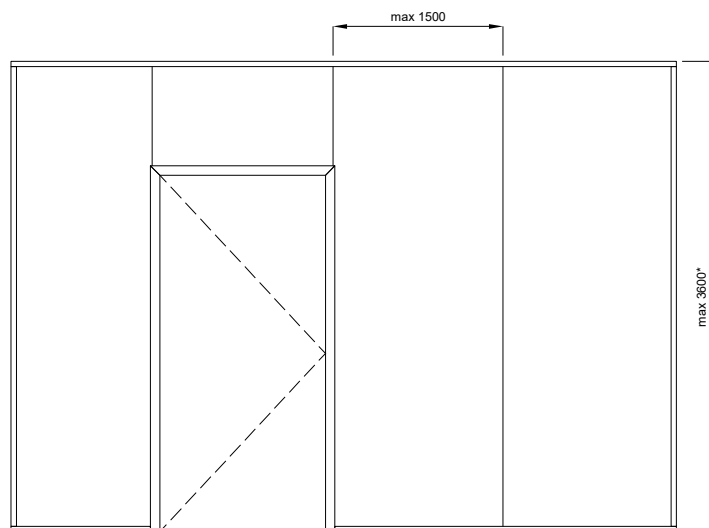


INTERIOR GLASS PARTITION SYSTEM / MB-HARMONY DUO

MB-HARMONY DUO



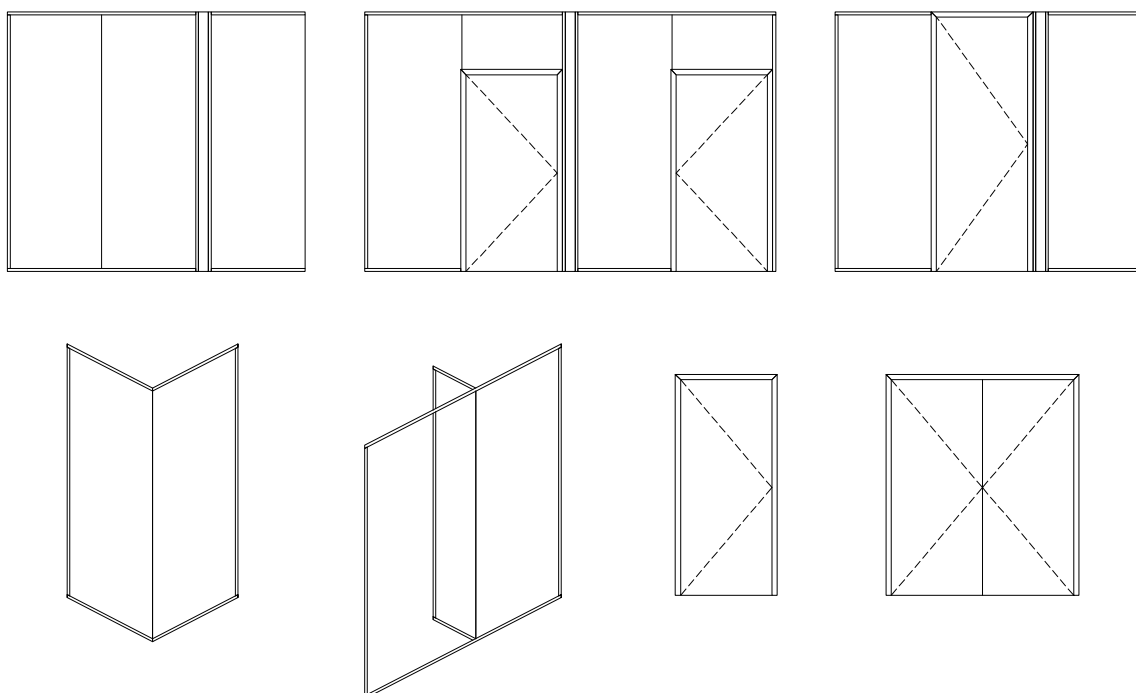
MB-HARMONY DUO



* - for glass types VSG 66.1, VSG 66.2, VSG 66.2 and VSG 66.2 with acoustic film, ESG 12 mm

| SPECIFICATIONS | MB-HARMONY DUO |
|---------------------|--|
| Glazing | ESG 10, ESG 12, VSG 55.1, VSG 55.2, VSG 66.1, VSG 66.2, VSG 55.2 with acoustic foil, VSG 66.2 with acoustic foil |
| Acoustic insulation | R_w of 48 dB max. / RA_1 of 46 dB max. |
| Use category | IVb |
| Room category | A, B, C1-C5, D |
| Height | 3200/3600 mm* |
| Finishing | anodised, RAL colours, ADEC wood and concrete colours |

EXAMPLE SOLUTIONS





IMPORTANT FEATURES

- the structurally light profiles are only 31 mm high
- the MB-HARMONY and MB-HARMONY DUO solutions are compatible
- the entire system consists of just a few basic elements
- the connectors and accessories have been reduced to a minimum
- the system is simple to prefabricate and to install, that can be done on site
- the unique installation panel is built using base profiles
- acrylic joints by walls are unnecessary
- hardware and accessories are mainly installed without machining, which has been limited to no more than a few instances
- the required machining can be carried out using portable tools
- the stability and reliability of the structure has been confirmed by tests
- frame doors with 35 and 45 mm leaves, single glazed, at a thickness of 5 to 13 mm, and double-glazed, at 25 to 35 mm
- the universal frame is suitable for all types of doors
- the concealed glazing gaskets are inserted before the profiles are installed

Acoustic insulation

| GLASS | R _w (dB) | C (dB) | RA ₁ (dB) |
|-------------------------------|---------------------|--------|----------------------|
| 66.2 Acoustic / 66.2 Acoustic | 48 | (-2) | 46 |
| VSG 66.2 / VSG 66.2 | 46 | (-2) | 44 |
| 55.2 Acoustic / 55.2 Acoustic | 46 | (-2) | 44 |
| VSG 66.2 / VSG 55.1 | 45 | (-2) | 43 |
| ESG 10 / ESG 10 | 41 | (-5) | 36 |

The exceptional acoustic properties of the MB-HARMONY DUO have been confirmed during detailed tests conducted at the research laboratory of the Maritime Advanced Research Centre in Gdansk.